

Exterior

	NAME	DATE
DRAWN	Johan L.	08/19/21

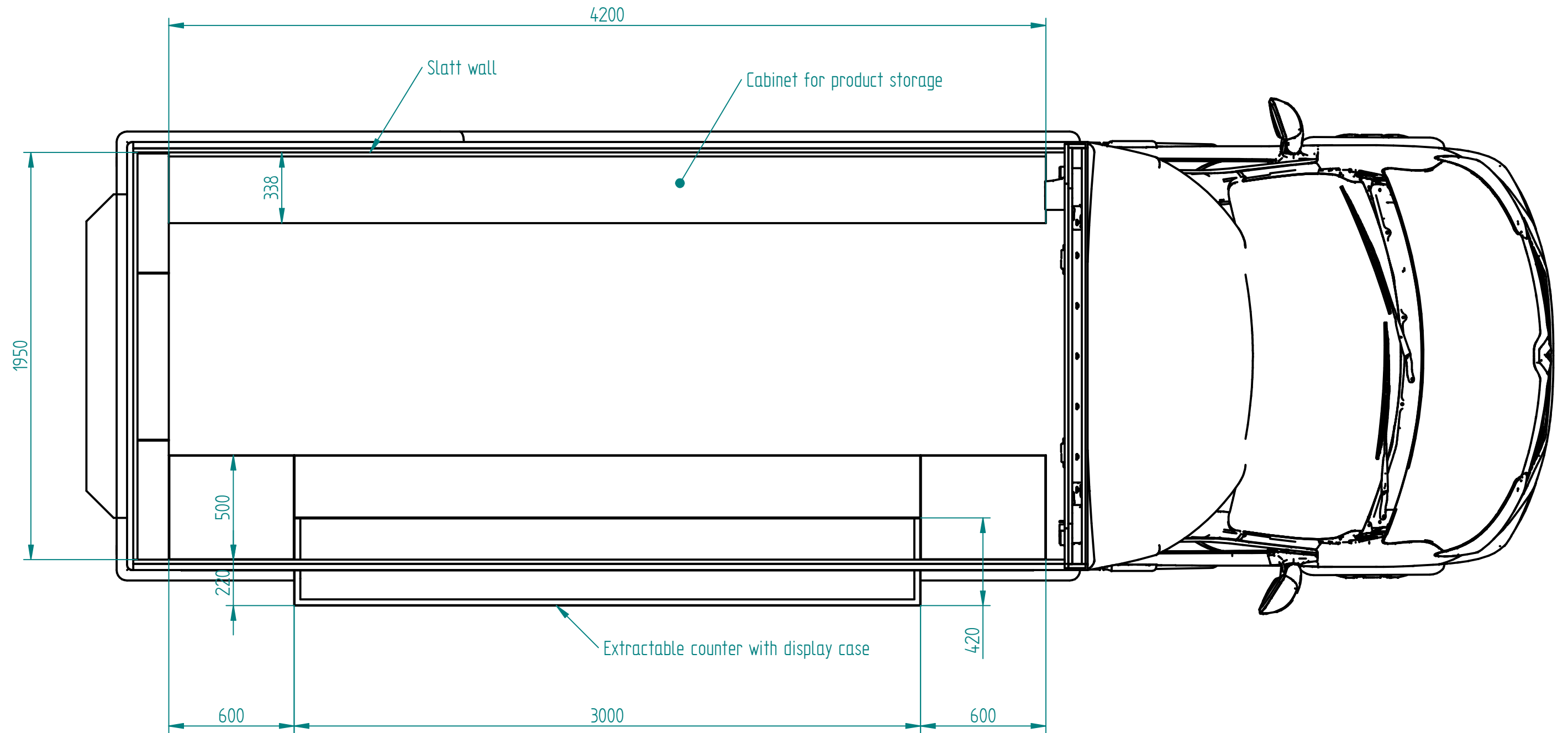
UNLESS OTHERWISE SPECIFIED  
DIMENSIONS ARE IN MILLIMETERS  
ANGLES ±X.X°



EVENT  
**TRAILER**  
SERVICES

SIZE	TITLE
A3	Promowheels merchandiser

SCALE:	WEIGHT:	SHEET 1 OF 2
--------	---------	--------------



Interior

	NAME	DATE
DRAWN	Johan L.	08/19/21
UNLESS OTHERWISE SPECIFIED DIMENSIONS ARE IN MILLIMETERS ANGLES ±X.X°		

 <b>EVENT TRAILER SERVICES</b>	
SIZE A3	TITLE Promowheels merchandiser
SCALE:	WEIGHT:
SHEET 2 OF 2	