
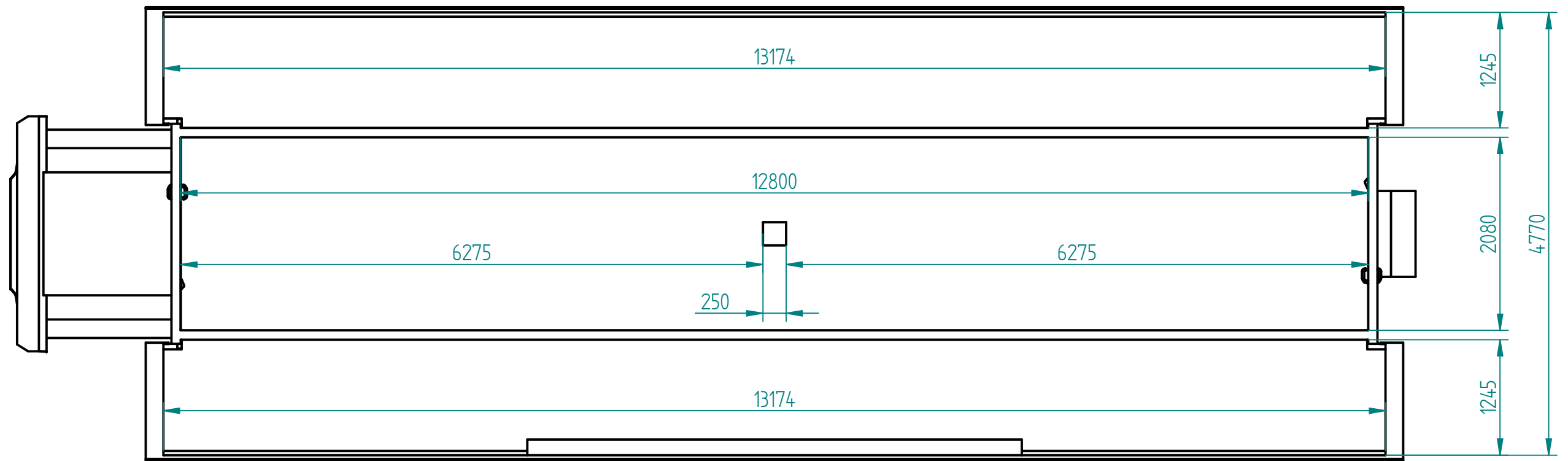
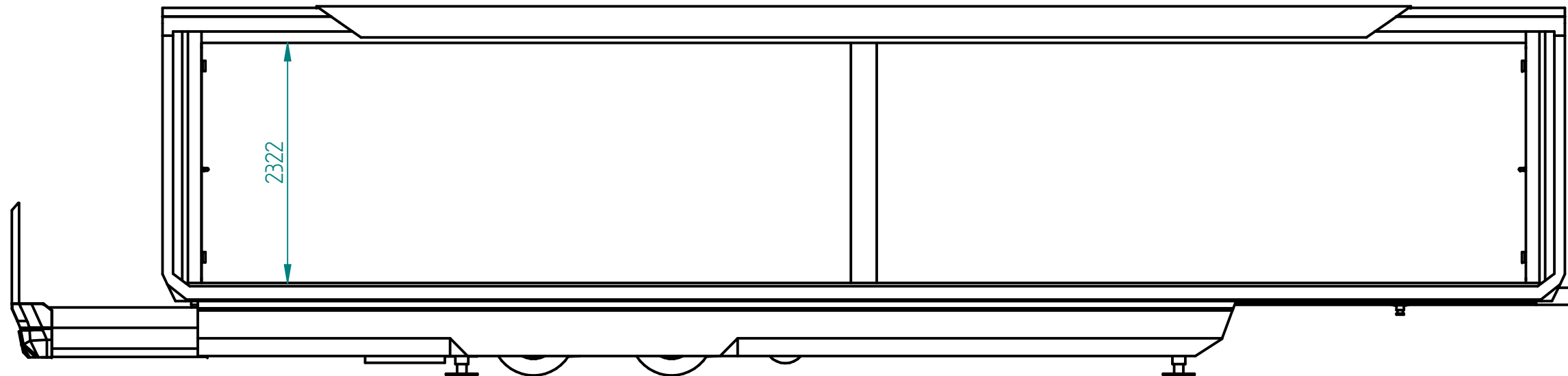


	NAME	DATE
DRAWN	Johan L.	06/27/23
UNLESS OTHERWISE SPECIFIED DIMENSIONS ARE IN MILLIMETERS ANGLES ±X.X°		




EVENT  
**TRAILER**  
SERVICES

SIZE A3	TITLE Promobox 40ft
SCALE: 1/100	WEIGHT:
SHEET 1 OF 2	



Promobox 40ft Interior

	NAME	DATE
DRAWN	Johan L.	06/27/23
UNLESS OTHERWISE SPECIFIED DIMENSIONS ARE IN MILLIMETERS ANGLES ±X.X°		



**EVENT TRAILER SERVICES**

SIZE A3	TITLE Promobox 40ft
SCALE: 1/50	WEIGHT:
SHEET 2 OF 2	