

Exterior

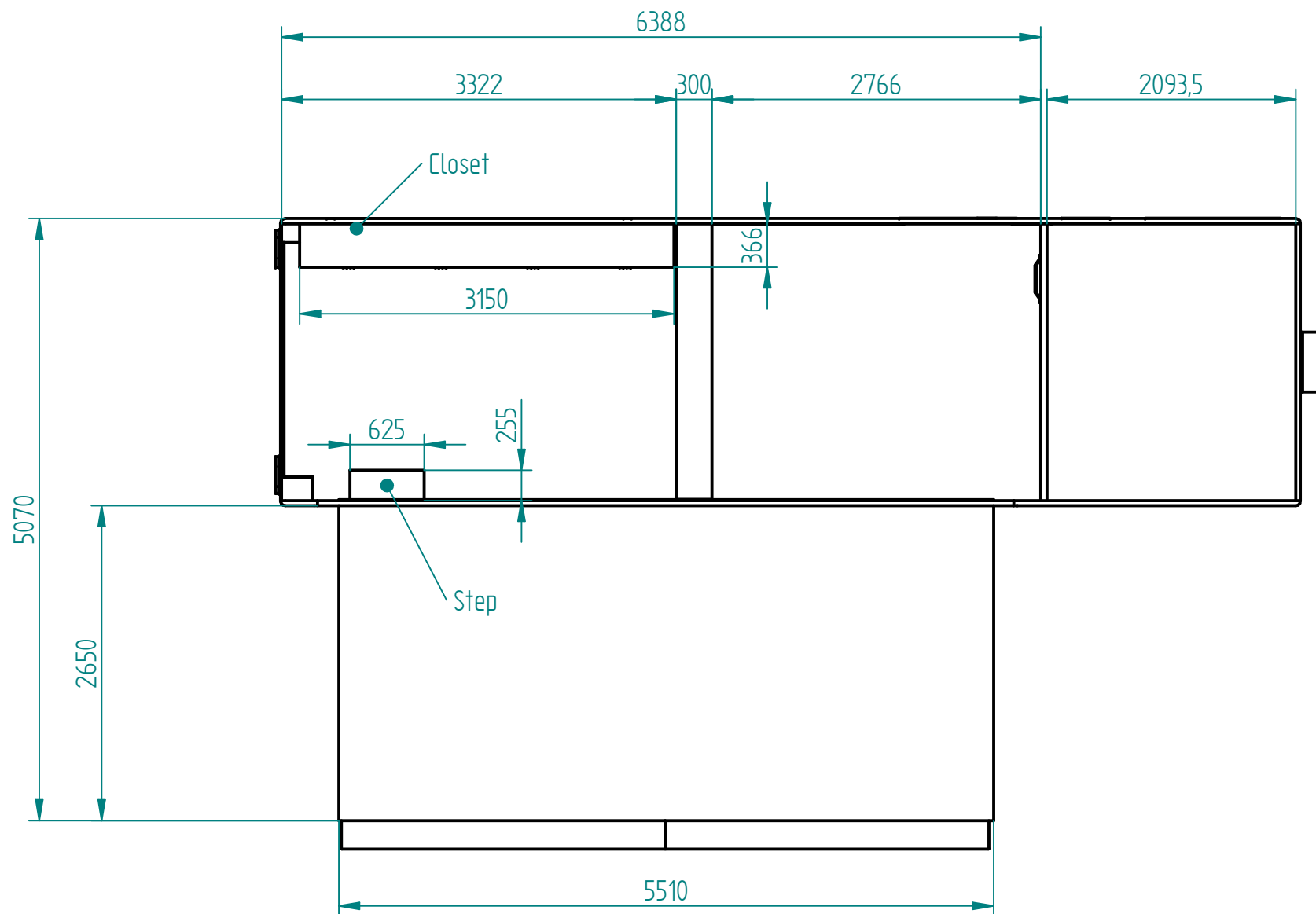
	NAME	DATE
DRAWN	Johan L.	10/21/21

UNLESS OTHERWISE SPECIFIED
DIMENSIONS ARE IN MILLIMETERS
ANGLES ±X.X°



EVENT
TRAILER
SERVICES

SIZE A3	TITLE BE-Merchandise trailer
SCALE: 1/50	WEIGHT:
SHEET 1 OF 3	



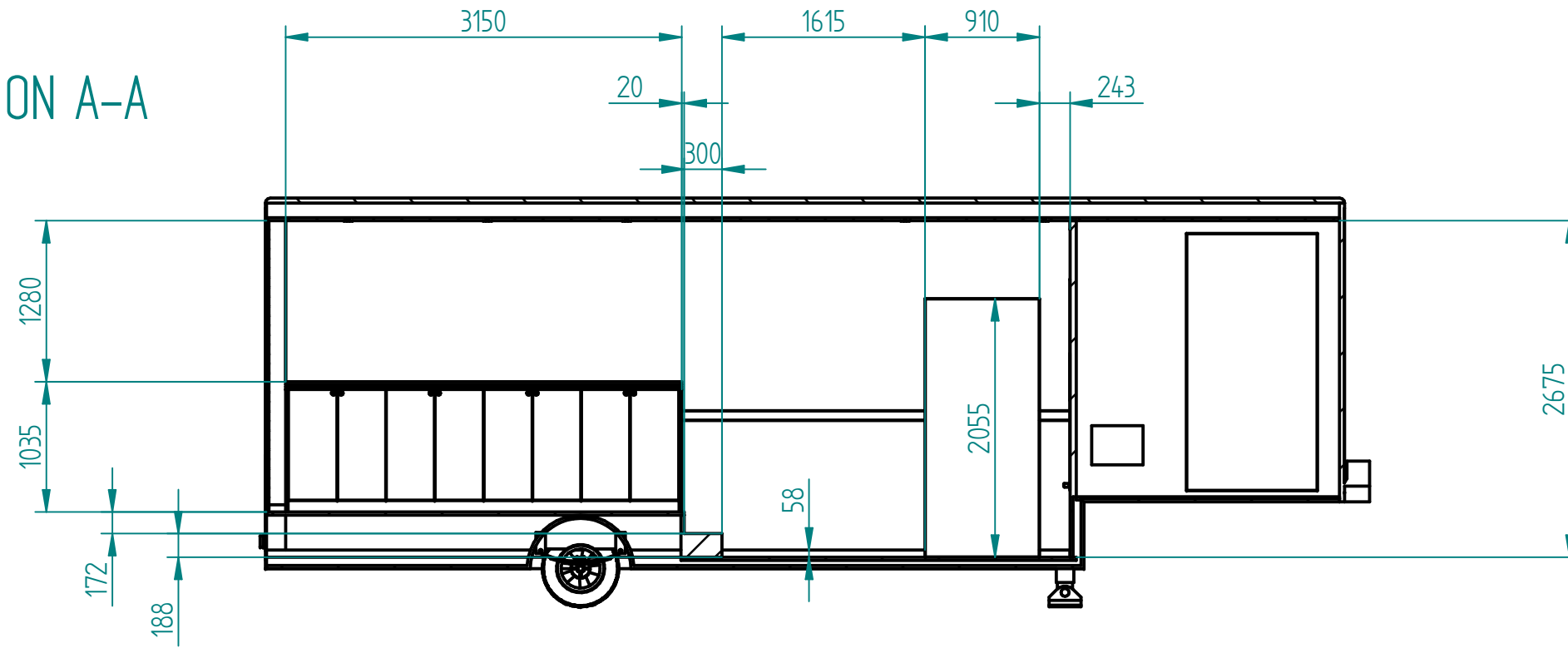
Interior

	NAME	DATE
DRAWN	Johan L.	10/21/21

UNLESS OTHERWISE SPECIFIED
DIMENSIONS ARE IN MILLIMETERS
ANGLES ±X.X°

 EVENT TRAILER SERVICES	
SIZE A3	TITLE BE-Merchandise trailer
SCALE: 1/50	WEIGHT:
SHEET 2 OF 3	

SECTION A-A



	NAME	DATE
DRAWN	Johan L.	10/21/21

UNLESS OTHERWISE SPECIFIED
DIMENSIONS ARE IN MILLIMETERS
ANGLES ±X.X°



SIZE A3	TITLE BE-Merchandise trailer
SCALE:	WEIGHT:
	SHEET 3 OF 3