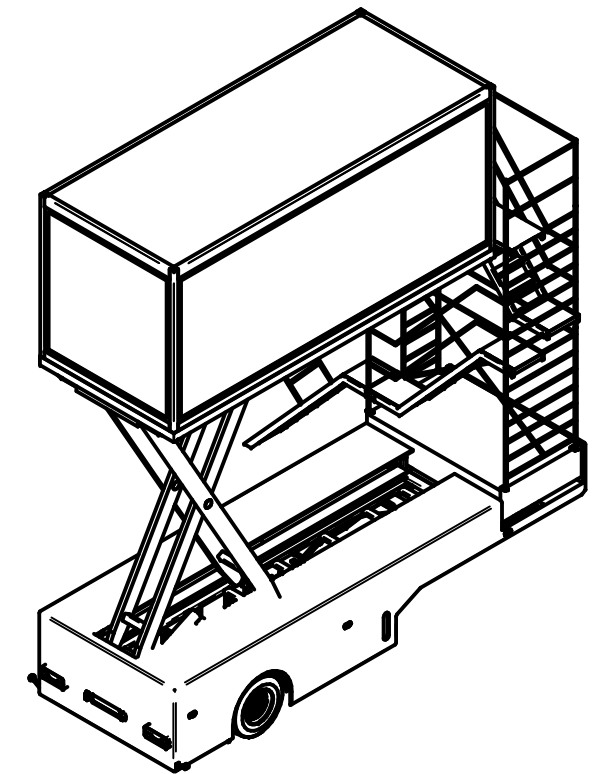
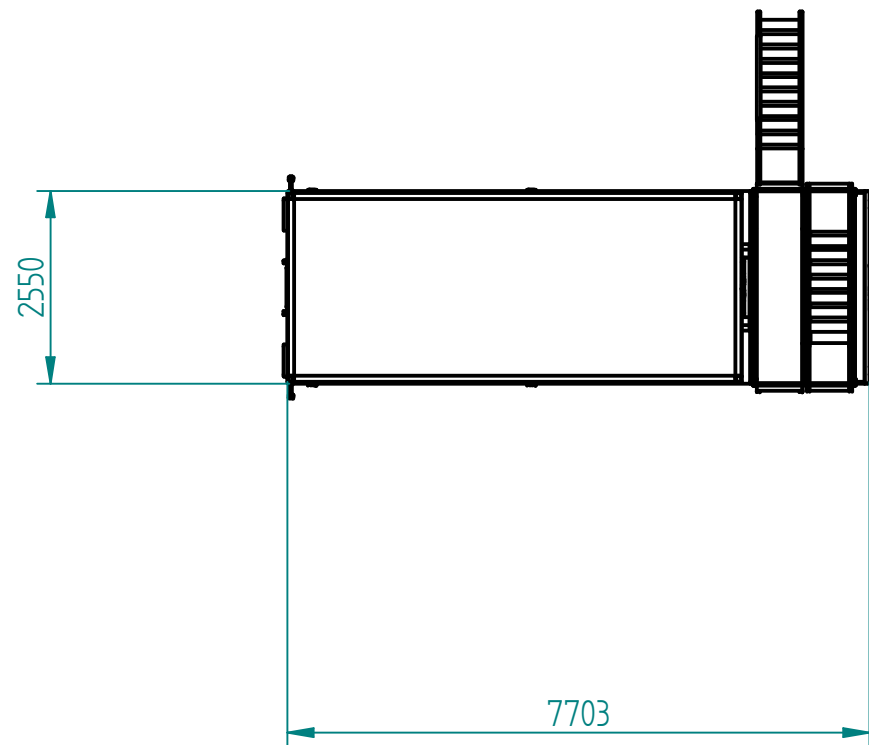
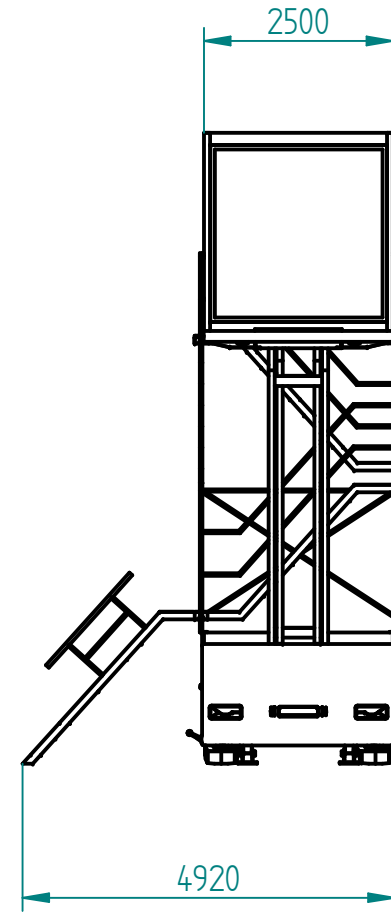
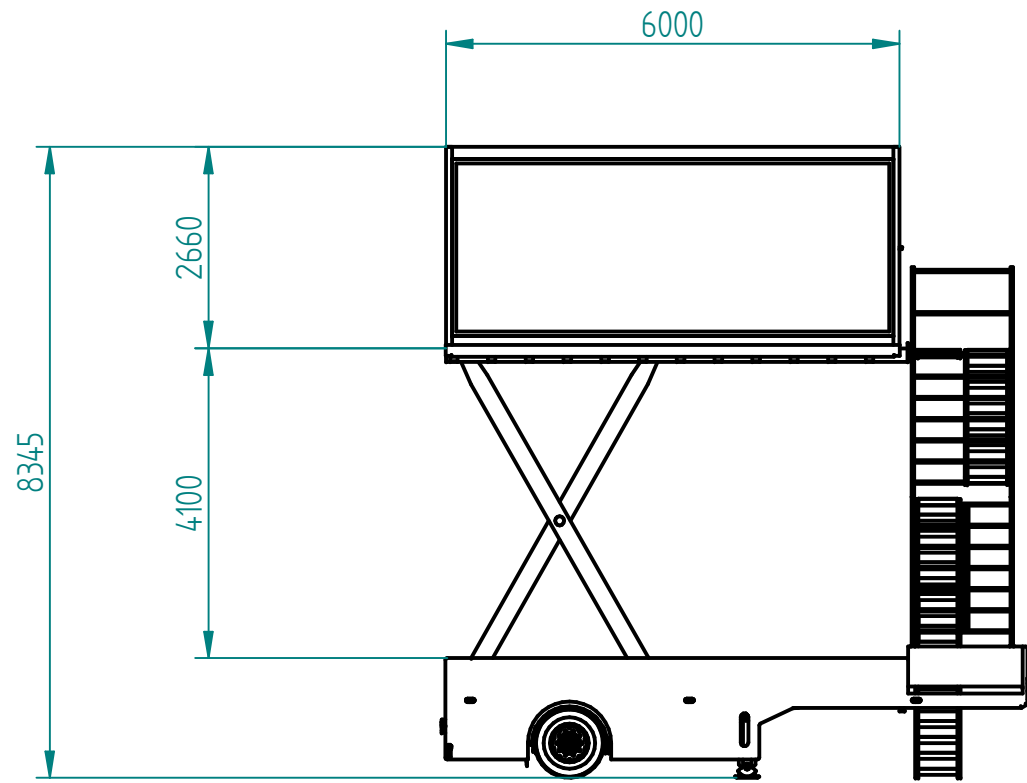


	NAME	DATE
DRAWN	Johan L.	05/10/21
UNLESS OTHERWISE SPECIFIED DIMENSIONS ARE IN MILLIMETERS ANGLES ±X.X°		



**EVENT
TRAILER
SERVICES**

SIZE A3	TITLE 360 Panoramic view box
SCALE: 1/50	WEIGHT:
SHEET 1 OF 2	



	NAME	DATE
DRAWN	Johan L.	05/10/21
UNLESS OTHERWISE SPECIFIED DIMENSIONS ARE IN MILLIMETERS ANGLES ±X.X°		



EVENT
TRAILER
SERVICES

SIZE A3	TITLE 360 Panoramic view box
SCALE: 1/100	WEIGHT: SHEET 2 OF 2