

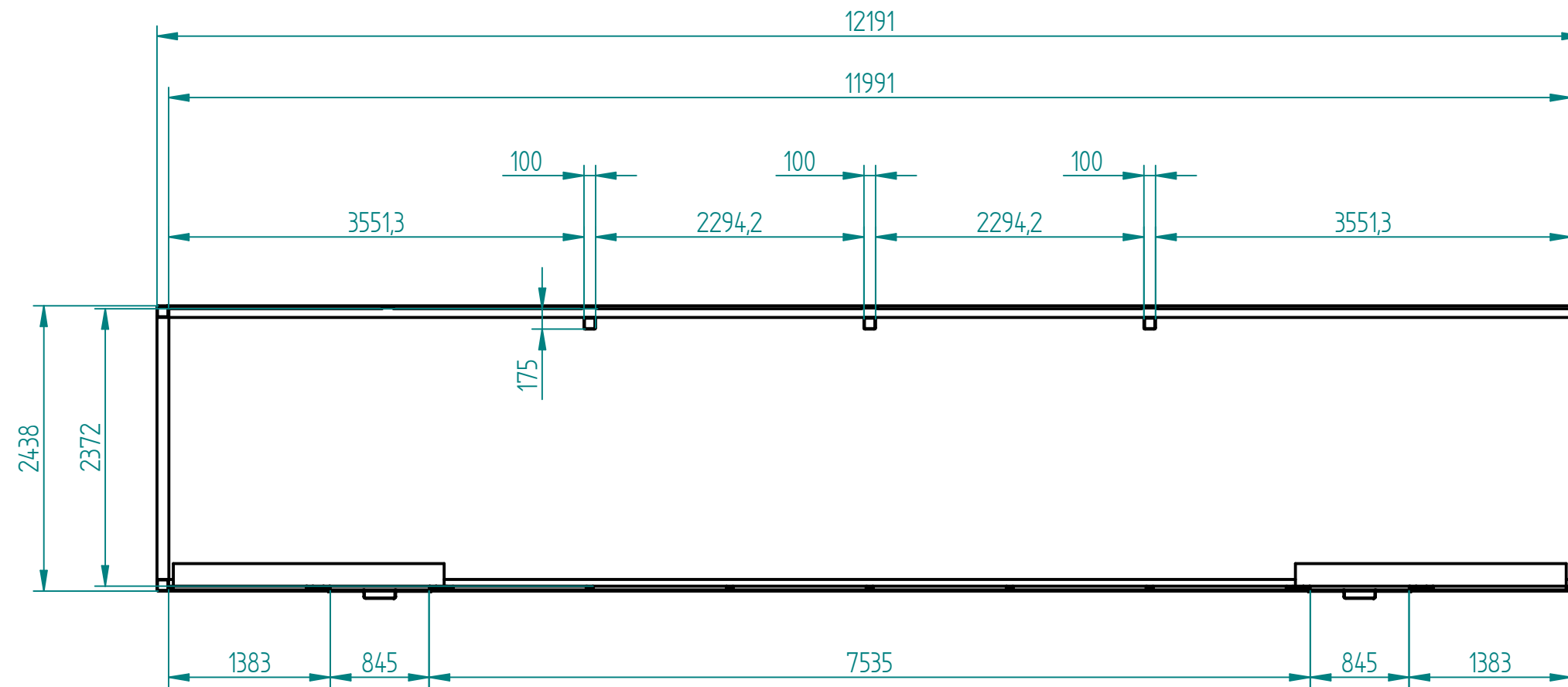
Overview

	NAME	DATE
DRAWN	Johan L.	01/10/22
UNLESS OTHERWISE SPECIFIED DIMENSIONS ARE IN MILLIMETERS ANGLES ±X.X°		



EVENT
TRAILER
SERVICES

SIZE A3	TITLE 40ft Glassbox
SCALE: 1/50	WEIGHT:
SHEET 1 OF 2	



Interior_Top view

	NAME	DATE
DRAWN	Johan L.	01/10/22
UNLESS OTHERWISE SPECIFIED DIMENSIONS ARE IN MILLIMETERS ANGLES ±X.X°		

 EVENT TRAILER SERVICES		SIZE	TITLE
		A3	40ft Glassbox
SCALE: 1/50	WEIGHT:	SHEET 2 OF 2	