

	NAME	DATE
DRAWN	Johan L.	05/10/21

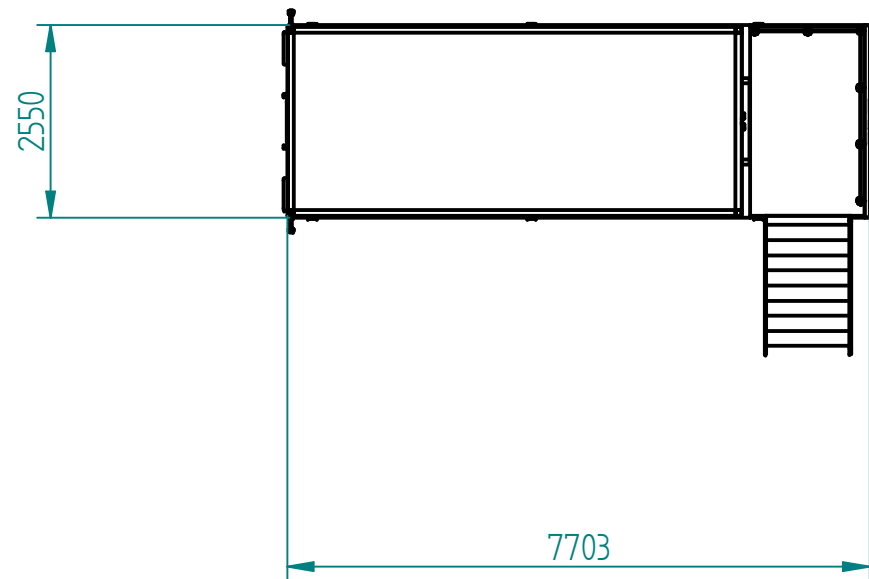
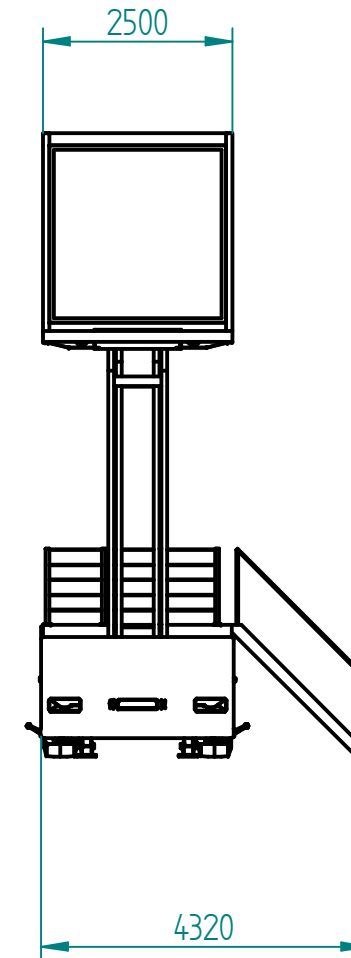
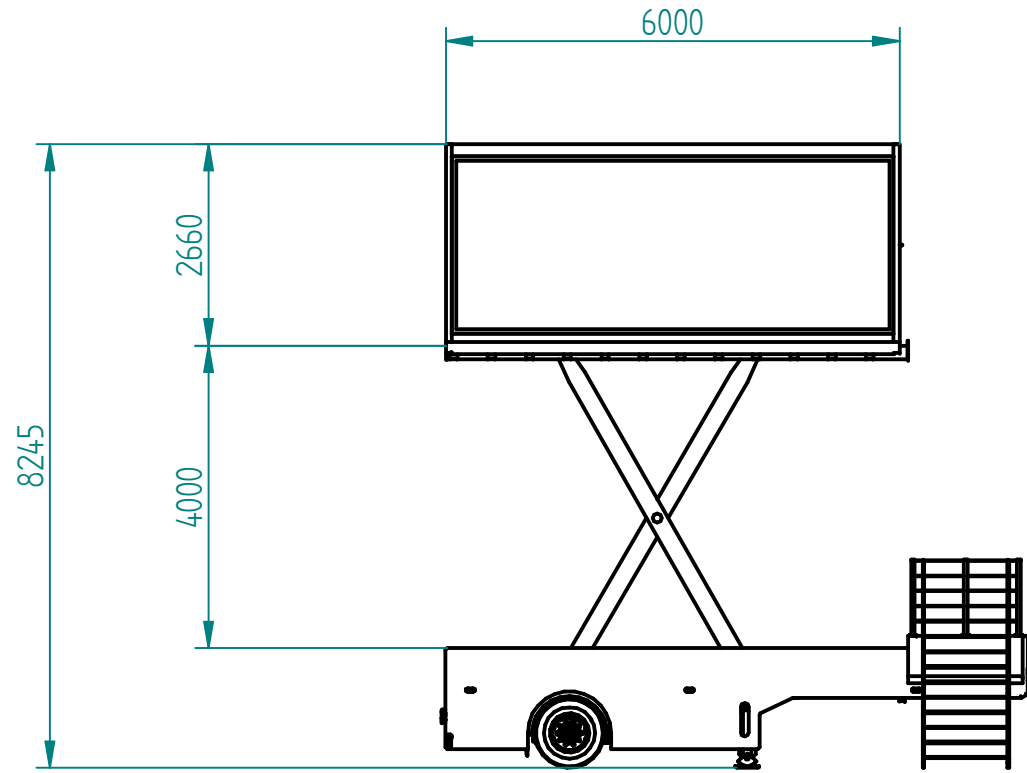
UNLESS OTHERWISE SPECIFIED
DIMENSIONS ARE IN MILLIMETERS
ANGLES ±X.X°



EVENT
TRAILER
SERVICES

SIZE: A3 TITLE: 360 Panoramic view box

SCALE: 1/50 WEIGHT: SHEET 1 OF 2



	NAME	DATE
DRAWN	Johan L.	05/10/21

UNLESS OTHERWISE SPECIFIED
DIMENSIONS ARE IN MILLIMETERS
ANGLES ±X.X°



EVENT
TRAILER
SERVICES

SIZE A3	TITLE 360 Panoramic view box
SCALE: 1/100	WEIGHT:
SHEET 2 OF 2	