


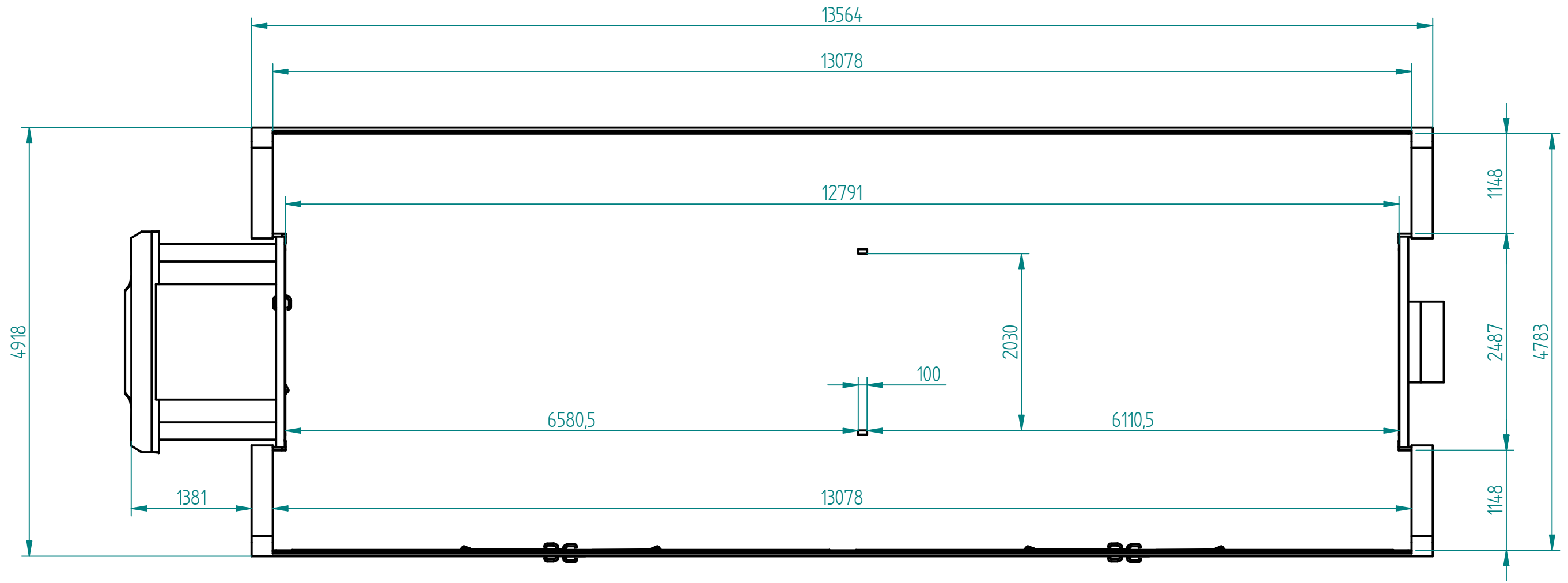
	NAME	DATE
DRAWN	Johan L.	05/15/20

UNLESS OTHERWISE SPECIFIED
DIMENSIONS ARE IN MILLIMETERS
ANGLES ±X.X°



EVENT
TRAILER
SERVICES

SIZE A3	TITLE Promobox 40ft
SCALE:	WEIGHT:
SHEET 1 OF 2	



Top view_Interior

	NAME	DATE
DRAWN	Johan L.	05/15/20
UNLESS OTHERWISE SPECIFIED DIMENSIONS ARE IN MILLIMETERS ANGLES ±X.X°		

 EVENT TRAILER SERVICES	
SIZE A3	TITLE Promobox 40ft
SCALE:	WEIGHT:
SHEET 2 OF 2	